



# Lam-e



# St-Pierre



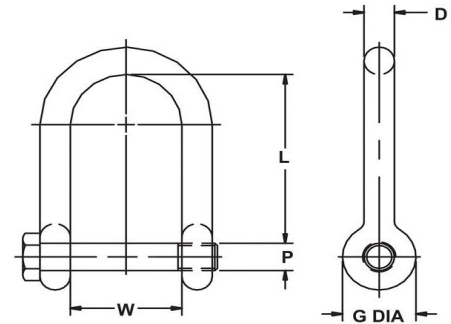
## LONG REACH SHACKLE

As one of the only manufacturers of long-reach shackles, we designed these shackles for use in construction applications where a longer reach is needed to attach to pick points.



### FEATURES

- WLL: 7,000 lbs. to 50,000 lbs.
- Meets the requirements of ASME B30.26
- Alloy Steel
- WLL forged on body
- Do not point load. The load should be evenly distributed over the entire pin to achieve full working load limit



NOMINAL SIZE (IN.)	WLL	STOCK NO.	UPC NO.	WEIGHT (LBS.)	DIMENSIONS (IN.)				
					P	D	L	W	G
5/8	7,000	MANILLEM7151P-5P	M7151P	1.80	0.75	0.63	4.00	2.25	1.57
3/4	10,000	MANILLEM7152P-5P	M7152P	2.72	0.88	0.75	5.00	2.75	1.81
1	19,000	MANILLEM7154P-5P	M7154P	5.86	1.00	1.00	5.50	3.25	2.38
1-1/4	28,000	MANILLEM7156P-5P	M7156P	11.90	1.38	1.25	6.19	3.88	3.06
1-1/2	34,000	MANILLEM7157P-5P	M7157P	19.60	1.50	1.50	7.00	4.50	3.50
1-3/4	50,000	MANILLEM7177P-5P	M7177P	30.70	2.00	1.75	8.00	5.25	4.00

**Note: Minimum Ultimate Strength is 5 times the Working Load Limit.**



# Lam-e



# St-Pierre



[www.lamestierre.com](http://www.lamestierre.com)

Montréal | T 514 354-4219 / 1 800 361-4019  
 Québec | T 418 652-9759 / 1 800 652-9759  
 Chicoutimi | T 418 696-9759 / 1 866 696-9759