



Vertical Lifting Clamp IPU10

Product information



The IPU10 vertical lifting clamp is used for lifting, turning, moving or vertical transfer of sheet, plates, or fabrications from horizontal to vertical and down to horizontal (180°) as needed. The hinged hoisting eye (a.k.a. universal eye) allows for the clamp to place and lift the load from any direction, or with a multiple leg sling without side-loading the clamp. Available in a variety of models:

- IPU10 - Standard clamp for materials with a surface hardness to 363HV10 (345 HB).
- IPU10J - Larger jaw opening.
- IPU10S - For use with Stainless Steel material.
- IPU10H - For use with materials with a surface hardness to 472HV10 (450 HB).

Features:

- Available in capacities of 0.5 thru 30 metric tons
- Higher Working Load Limits are available upon request.
- Wide variety of jaw openings available: 0 to 155 mm.
- Welded alloy steel body for strength and smaller size. Forged alloy components, where required.
- Individually Proof Tested to 2 times the Working Load Limit with certification.
- User manual and test certificate included with each clamp.
- Full 180° turning range for material transfer, turning or moving.
- Lock open, lock closed ability with latch for pretension on material and then release of material.
- For use with materials with surface hardness to 279HV10, only 5% min WLL is needed.
- Maintenance and repair kits are available.
- All sizes are RFID EQUIPPED.

... [Read more](#)

Material: Alloy steel.

Marking: According to standard, CE-marked, WLL, Logo, Jaw opening, Serial number

Temperature range: -40°C up to +100°C

Standard: EN 13155

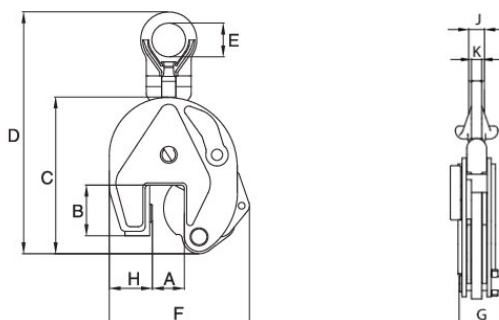
Warning: A minimum load of 10% of the WLL is required. Except for WLL 500 KG which requires a minimum load of 5% of WLL.

Safety factor: 4:1



Vertical Lifting Clamp IPU10

Blueprint



Technical data

Part code	WLL (metric) tonnes	Jaw width in	Model	B in	C in	D, in	E in	F in	G, in	H, in	J in	K in	Weight lb
16.012701675	0.5	0-0.63	IPU10	1.73	5.12	8.5	1.57	4.53	1.65	1.1	-	0.43	4.19
16.012701663	1	0-0.79	IPU10	1.77	5.47	8.86	1.57	5	1.65	1.5	-	0.43	5.29
16.012701677	2	0-1.38	IPU10	3.07	7.91	14.49	2.76	7.4	2.52	2.17	-	0.63	18.74
16.012701665	3	0-1.57	IPU10	3.94	9.96	17.17	2.95	8.74	3.07	2.36	-	0.79	32.63
16.012701667	4.5	0-1.57	IPU10	3.94	9.96	17.52	2.95	9.13	3.23	2.56	-	0.79	35.27
16.012701669	6	0-1.97	IPU10	4.96	11.89	20.67	3.15	11.5	3.31	3.74	1.73	0.79	52.91
16.012701671	9	0-1.97	IPU10	4.96	12.8	21.73	3.15	12.2	3.7	4.09	1.73	0.79	68.12
16.012701679	12	0-2.13	IPU10	6.3	15.43	24.25	3.15	17.05	4.76	5.39	1.61	0.98	125.66
16.012701683	16	0.2-2.52	IPU10	7.09	18.23	28.98	3.46	19.37	4.76	6.02	1.77	0.98	174.17
16.012701687	22.5	0.2-3.15	IPU10	8.74	21.81	33.98	4.33	22.24	5.47	7.32	1.93	0.98	277.78
16.012701691	30	0.2-3.15	IPU10	8.74	21.81	34.17	4.33	22.83	6.02	7.32	2.13	1.18	310.85