



## Vertical Lifting Clamp IPU10

### Product information



The IPU10 vertical lifting clamp is used for lifting, turning, moving or vertical transfer of sheet, plates, or fabrications from horizontal to vertical and down to horizontal (180°) as needed. The hinged hoisting eye ( a.k.a. universal eye ) allows for the clamp to place and lift the load from any direction, or with a multiple leg sling without side-loading the clamp. Available in a variety of models:

- IPU10 - Standard clamp for materials with a surface hardness to 363HV10 (345 HB).
- IPU10J - Larger jaw opening.
- IPU10S - For use with Stainless Steel material.
- IPU10H - For use with materials with a surface hardness to 472HV10 (450 HB).

#### Features:

- Available in capacities of 0.5 thru 30 metric tons
- Higher Working Load Limits are available upon request.
- Wide variety of jaw openings available: 0 to 155 mm.
- Welded alloy steel body for strength and smaller size. Forged alloy components, where required.
- Individually Proof Tested to 2 times the Working Load Limit with certification.
- User manual and test certificate included with each clamp.
- Full 180° turning range for material transfer, turning or moving.
- Lock open, lock closed ability with latch for pretension on material and then release of material.
- For use with materials with surface hardness to 279HV10, only 5% min WLL is needed.
- Maintenance and repair kits are available.
- All sizes are RFID EQUIPPED.

... [Read more](#)

**Material:** Alloy steel.

**Marking:** According to standard, CE-marked, WLL, Logo, Jaw opening, Serial number

**Temperature range:** -40°C up to +100°C

**Standard:** EN 13155

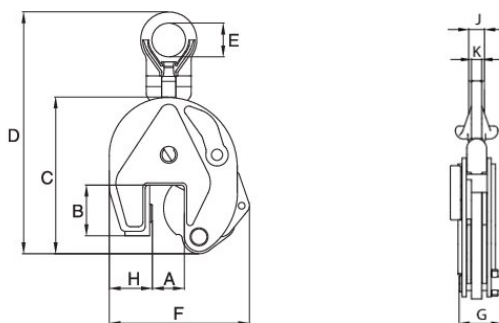
**Warning:** A minimum load of 10% of the WLL is required. Except for WLL 500 KG which requires a minimum load of 5% of WLL.

**Safety factor:** 4:1



## Vertical Lifting Clamp IPU10

### Blueprint



### Technical data

Part code	WLL (metric) tonnes	Jaw width in	Model	B in	C in	D in	E in	F in	G, in	H, in	J in	K in	Weight lb
16.012701675	0.5	0-0.63	IPU10	1.73	5.12	8.5	1.57	4.53	1.65	1.1	-	0.43	4.19
16.012701663	1	0-0.79	IPU10	1.77	5.47	8.86	1.57	5	1.65	1.5	-	0.43	5.29
16.012701677	2	0-1.38	IPU10	3.07	7.91	14.49	2.76	7.4	2.52	2.17	-	0.63	18.74
16.012701665	3	0-1.57	IPU10	3.94	9.96	17.17	2.95	8.74	3.07	2.36	-	0.79	32.63
16.012701667	4.5	0-1.57	IPU10	3.94	9.96	17.52	2.95	9.13	3.23	2.56	-	0.79	35.27
16.012701669	6	0-1.97	IPU10	4.96	11.89	20.67	3.15	11.5	3.31	3.74	1.73	0.79	52.91
16.012701671	9	0-1.97	IPU10	4.96	12.8	21.73	3.15	12.2	3.7	4.09	1.73	0.79	68.12
16.012701679	12	0-2.13	IPU10	6.3	15.43	24.25	3.15	17.05	4.76	5.39	1.61	0.98	125.66
16.012701683	16	0.2-2.52	IPU10	7.09	18.23	28.98	3.46	19.37	4.76	6.02	1.77	0.98	174.17
16.012701687	22.5	0.2-3.15	IPU10	8.74	21.81	33.98	4.33	22.24	5.47	7.32	1.93	0.98	277.78
16.012701691	30	0.2-3.15	IPU10	8.74	21.81	34.17	4.33	22.83	6.02	7.32	2.13	1.18	310.85